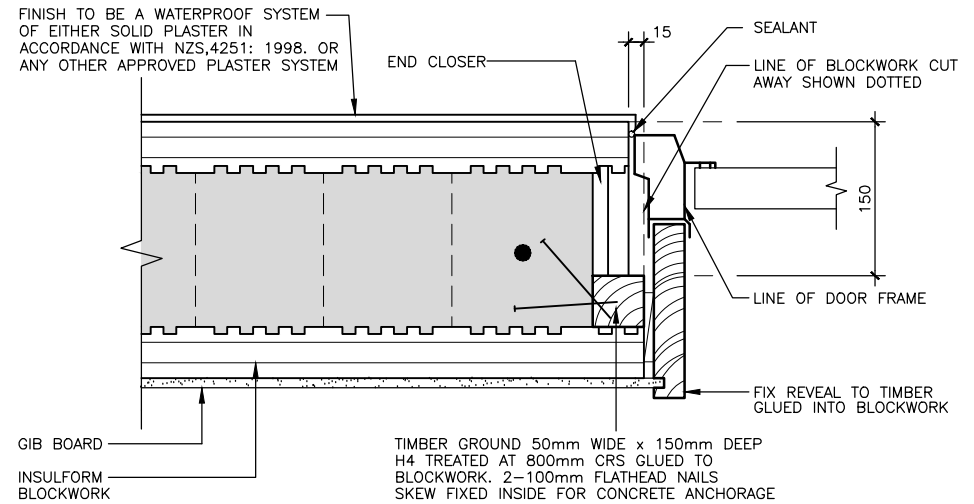


TIMBER GROUND 50mm WIDE x 150mm DEEP
H4 TREATED AT 800mm CRS GLUED TO
BLOCKWORK. 2-100mm FLATHEAD NAILS
SKEW FIXED INSIDE FOR CONCRETE ANCHORAGE
(TYPICAL)

INTERNAL DOOR JAMB



EXTERNAL DOOR JAMB

NOTE: DOOR HEAD DETAIL AS PER
WINDOW HEAD DETAIL (DRAWING 4a).

NOTE: REINFORCEMENT SHOWN IS THE MINIMUM THAT COULD BE REQUIRED. ADDITIONAL STEEL WILL USUALLY BE REQUIRED. THE FINAL STRUCTURAL DESIGN MUST BE CHECKED BY A REGISTERED ENGINEER.

E	14/4/09	METAL BRIDGE CHANGED TO THERMOPLASTIC BRIDGE	W.L	CGF			
D	28-1-00	CHANGES AS PER BRANZ RECOMMENDATIONS	W.L	WWR			
C	1/10/98	NOTES ALTERED	W.L	WWR			
B	28/10/97	CHANGES AS PER BRANZ RECOMMENDATIONS	W.L	SWEB			
	DATE	DESCRIPTION	ENG	DRN	EN.CK	DN.CK	APP.

© 2009 FILE:[PG51_4b_revE] 14-APRIL-2009 >VERSION 6<

INSULFORM NZ
CHRISTCHURCH, NZ.
E.P.S. THERMOPLASTIC BRIDGE BLOCK
CONTINUOUS REINFORCED CONCRETE
WALL SYSTEMS. PAT.NO.247577

Phone:
384 3804
Fax:
384 0009

STRUCTURAL ENGINEERS
YY LEWIS & BARROW LTD
PH 366 4320 CHRISTCHURCH

ALUMINIUM JOINERY DETAILS
INTERNAL AND EXTERNAL DOORS

ENG	W.L.	FILE	DRAWING
DRN	B.T	6157	4b
CHK	W.L.		
DATE	5/94		