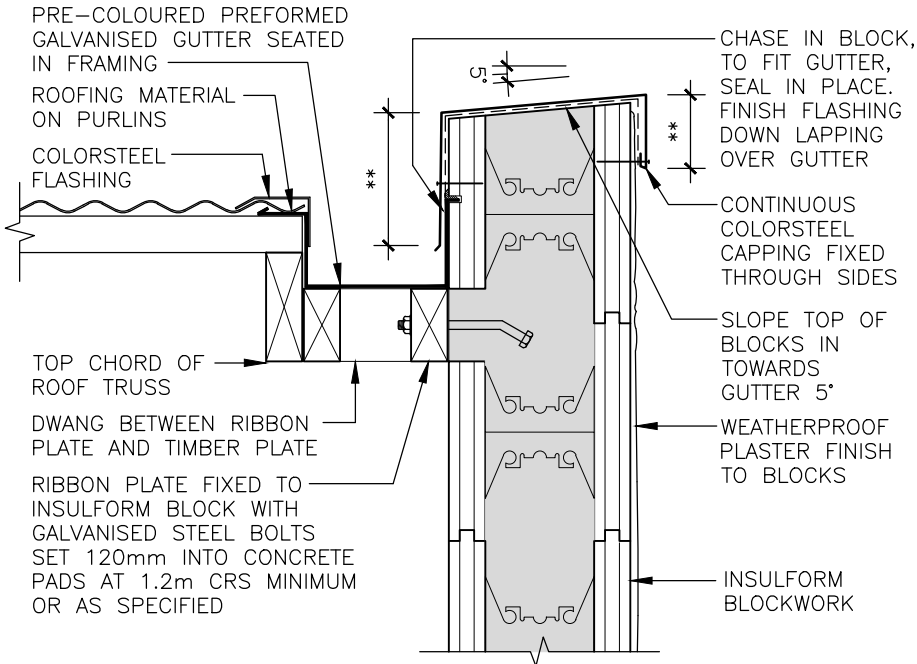
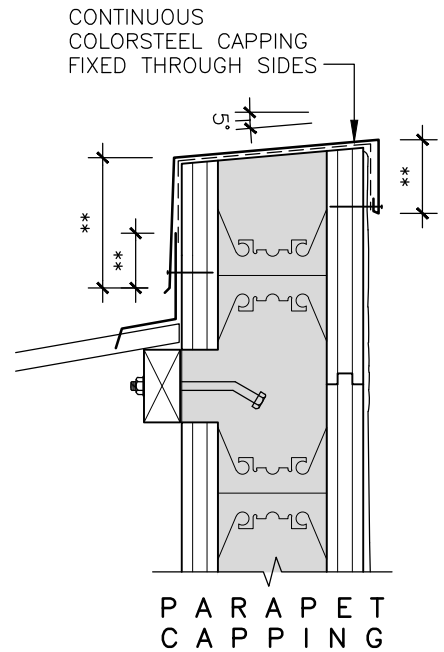


**PARAPET DETAIL**  
(BUTYNOL LINED GUTTER)



**PARAPET DETAIL**  
(PREFORMED GALVANISED GUTTER)



**PARAPET CAPPING**

\*\* = VARIABLE ACCORDING TO WIND ZONE  
REFER TO TABLE 7 OF NZBC E2  
FOR FLASHING DIMENSIONS

**SHT 11b**

REINFORCEMENT TO BE DESIGNED BY A REGISTERED ENGINEER

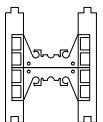
STRUCTURAL ENGINEERS

**Y LEWIS & BARROW LTD**

PH 366 4320 CHRISTCHURCH

© 2009 FILE:[PG68\_11b\_revA] 14-APRIL-2009

>VERSION 6<



**INSULFORM NZ**  
CHRISTCHURCH, NZ.

E.P.S. THERMOPLASTIC BRIDGE BLOCK  
CONTINUOUS REINFORCED CONCRETE  
WALL SYSTEMS. PAT.NO.247577

Phone:  
384 3804

Fax:  
384 0009

**GUTTER AND PARAPET  
DETAILS**